

自愈式低电压并联电容器

Self-healing Type Low Voltage Shunt Capacitor

SINO-U.S JOINT-VENTURE ZHEJIANG
JIUKANG ELECTRIC CO.,LTD

专注才能更成功

www.jiukang.com



A型

概述 General Description

“九康牌”自愈式低电压并联电容器是采用先进的金属化膜作为材料，引进国外先进技术、设备，严格按照国家标准及IEC标准组织生产的；主要用于低压电网提高功率因数，减少线路损耗，改善电压质量，是国家推荐使用的新型节电产品。

本公司依靠科技优势和严格按ISO9001质量体系管理，产品质优价廉、服务周到。保质期一年半，明显高于国内同行业产品。

JIUKANG brand self-healing type low voltage shunt capacitor made of the advanced metallized film, is produced strictly in accordance with the National Standard and IEC Standard by the introduced advanced foreign techniques and equipments. The device is mainly suitable for low voltage power network to improve power factor, reduce reactive loss and better the voltage quality.

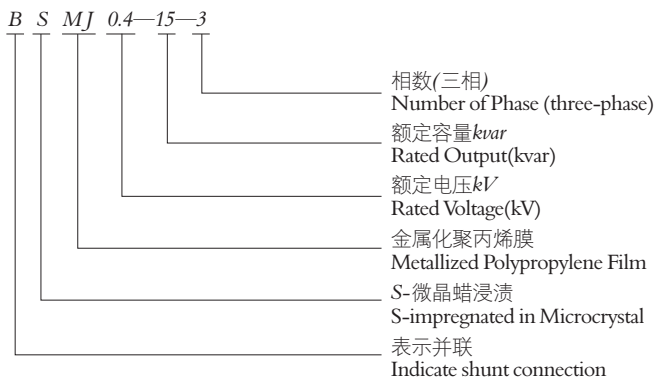
The company depends on the superiority of science and technology and manages strictly in compliance with ISO9001, so the quality of the products are excellent but their prices are competitive and our services are all-round.

主要特点 Main Features

- 1、体积小、重量轻：由于采用金属化聚丙烯膜材料作为介质，体积、重量仅为老产品的1/4和1/5。
- 2、损耗低：实际值低于0.1%，所以电容器自身的能耗低，发热少、温升低、工作寿命长、节能效果佳。
- 3、优良的自愈性能：过电压所造成的介质局部击穿能迅速自愈，恢复正常工作，使可靠性大为提高。
- 4、安全性：内装自放电电阻和保险装置。内装放电电阻能使电容器上所带的电能自动泄放掉；当电容器发生故障时，保险装置能及时断开电源，避免故障的进一步发展，确保使用安全。
- 5、不漏油：本电容器采用先进的半固体浸渍剂，滴熔点高于70℃，在使用过程中不漏油，避免了环境污染，电容器也不会因失油而失效。

- 1、**Compacted and light:** Its volume and weight are only 1/4 and 1/5 of the old product because of the using of a new dielectric-metallized polypropylene film.
- 2、**Low loss:** The real figure is lower than 0.10%, so the loss of the capacitor itself is extremely low, the heat it gives out is little and the rise of temperature is low, so its service life is very long and it can save energy at the same time.
- 3、**Excellent self-healing ability:** Damage of part of the dielectric caused by over-voltage can be self-healed quickly and return to normal state. So the reliability is much higher.
- 4、**Safety:** Inwardly equipped self-discharge resistor and safety equipment. The self-discharge resistor can automatically discharge the electric energy the capacitor carries. If there is anything fault with the capacitor, the safety equipment will cut off power in time, thus prevent further troubles from happening. So it's much safer to use this kind of capacitor.
- 5、**No oil leakage:** The capacitor uses advanced semi-solid impregnant whose drip melting point is above 70℃. There will be no loss of oil during the course of using it. And thus protect the surroundings from being polluted. The capacitor itself doesn't have to run the risk of invalidation caused by oil leakage.

型号含义 Model Meanings



主要技术指标 Main Technical characteristics

使用条件：环境温度-25℃~+50℃，湿度<85%，海拔2000 以下。
 额定电压：250VAC，400VAC，525VAC，690VAC，750VAC，1050VAC。
 额定容量：1~100kvar。
 容量允差：-5~+10%
 损耗角正切值：在工频额定电压下，20℃时tgδ ≤0.1%。
 交流耐电压：极间2.15倍额定电压10秒钟，极壳间3kV10秒钟。
 最高允许过电压：1.10倍额定电压。
 最高允许过电流：1.30倍数额定电流。
 自放电特性：电容器加√2Un直流电压，断开电源3分钟后，剩余电压降低到75V或更低。
 符合标准：GB12747-2004 IEC60831-1996。

Service conditions: ambient temperature -25℃~+50℃, humidity≤85%RH, and altitude lower than 2000m.
Rated voltage: 250VAC, 400VAC, 525VAC, 690VAC, 750VAC, 1050VAC.
Rated output: 1~100kvar.
Capacitance tolerance: -5~+10%
Tangent of the loss angel: With the power frequency rated voltage, tgδ ≤0.1% at 20℃.
Withstand voltage: Between terminals 2.15 times rated voltage for 10 seconds, between terminals and container 3kVAC for 10seconds.
Max permissible over-voltage: 110% rated voltage.
Max permissible over-current: 130% rated current.
Self sustained discharge ability: Give √2Un DC voltage to capacitor, the residual voltage reduced to 75V or lower within 3 minutes after power off.
Applicable standard: GB 12747-2004 / IEC60831-1996.

A型主要规格及外形尺寸 *A Type Main Specification & Overall Dimension*

| 产品型号 Model BSMJ BCMJ BZMJ | 额定电压 Rated voltage kV | 额定容量 Rated output kvar | 总电容量 Total capacitance μ F | 额定电流 Rated current A | 外形尺寸 长 宽 高(mm) Overall dimension L W H(mm) | | |
|---------------------------------------|--------------------------------|---------------------------------|-------------------------------------|-------------------------------|--|----|-----|
| | | | | | L | W | H |
| 0.25-3-1 | 0.25 | 3 | 153 | 12.0 | 160 | 55 | 135 |
| 0.25-5-1 | 0.25 | 5 | 245 | 20.0 | 160 | 55 | 210 |
| 0.25-7.5-1 | 0.25 | 7.5 | 382 | 30.0 | 160 | 55 | 210 |
| 0.25-10-1 | 0.25 | 10 | 509 | 40.0 | 160 | 70 | 220 |
| 0.25-15-1 | 0.25 | 15 | 764 | 60.0 | 160 | 70 | 260 |
| 0.4-2-3 | 0.4 | 2 | 39 | 2.9 | 160 | 55 | 115 |
| 0.4-4-3 | 0.4 | 4 | 79 | 5.8 | 160 | 55 | 115 |
| 0.4-6-3 | 0.4 | 6 | 118 | 8.7 | 160 | 55 | 115 |
| 0.4-8-3 | 0.4 | 8 | 158 | 11.5 | 160 | 55 | 135 |
| 0.4-10-3 | 0.4 | 10 | 198 | 14.4 | 160 | 55 | 190 |
| 0.4-12-3 | 0.4 | 12 | 238 | 17.3 | 160 | 55 | 190 |
| 0.4-14-3 | 0.4 | 14 | 278 | 20.2 | 160 | 55 | 210 |
| 0.4-15-3 | 0.4 | 15 | 298 | 21.7 | 160 | 55 | 210 |
| 0.4-16-3 | 0.4 | 16 | 318 | 23.1 | 160 | 55 | 210 |
| 0.4-18-3 | 0.4 | 18 | 358 | 26.0 | 180 | 55 | 250 |
| 0.4-20-3 | 0.4 | 20 | 398 | 28.9 | 180 | 55 | 250 |
| 0.4-25-3 | 0.4 | 25 | 498 | 36.1 | 180 | 70 | 220 |
| 0.4-30-3 | 0.4 | 30 | 597 | 43.3 | 180 | 70 | 260 |
| 0.4-40-3 | 0.4 | 40 | 796 | 57.7 | 180 | 95 | 345 |
| 0.4-50-3 | 0.4 | 50 | 995 | 72.2 | 180 | 95 | 390 |
| 0.42-10-3 | 0.42 | 10 | 180.5 | 13.7 | 160 | 55 | 190 |
| 0.42-12-3 | 0.42 | 12 | 216.5 | 16.5 | 160 | 55 | 190 |
| 0.42-14-3 | 0.42 | 14 | 252.6 | 19.3 | 160 | 55 | 210 |
| 0.42-15-3 | 0.42 | 15 | 270.7 | 20.6 | 160 | 55 | 210 |
| 0.42-16-3 | 0.42 | 16 | 288.7 | 22.0 | 160 | 55 | 210 |
| 0.42-18-3 | 0.42 | 18 | 324.8 | 24.7 | 180 | 55 | 250 |
| 0.42-20-3 | 0.42 | 20 | 360.9 | 27.5 | 180 | 55 | 250 |
| 0.42-25-3 | 0.42 | 25 | 451.1 | 34.4 | 180 | 70 | 220 |
| 0.42-30-3 | 0.42 | 30 | 541.3 | 41.2 | 180 | 70 | 260 |
| 0.42-40-3 | 0.42 | 40 | 721.8 | 55.0 | 180 | 95 | 345 |
| 0.42-50-3 | 0.42 | 50 | 902.2 | 68.7 | 180 | 95 | 390 |

| 产品型号 Model BSMJ BCMJ BZMJ | 额定电压 Rated voltage kV | 额定容量 Rated output kvar | 总电容量 Total capacitance μ F | 额定电流 Rated current A | 外形尺寸 长 宽 高(mm) Overall dimension L W H(mm) | | |
|---------------------------------------|--------------------------------|---------------------------------|-------------------------------------|-------------------------------|--|----|-----|
| | | | | | L | W | H |
| 0.45-10-3 | 0.45 | 10 | 157.3 | 12.8 | 160 | 55 | 190 |
| 0.45-12-3 | 0.45 | 12 | 188.7 | 15.4 | 160 | 55 | 190 |
| 0.45-14-3 | 0.45 | 14 | 220.2 | 18.0 | 160 | 55 | 210 |
| 0.45-15-3 | 0.45 | 15 | 236.0 | 19.2 | 160 | 55 | 210 |
| 0.45-16-3 | 0.45 | 16 | 251.6 | 20.5 | 160 | 55 | 210 |
| 0.45-20-3 | 0.45 | 20 | 314.5 | 25.7 | 180 | 55 | 250 |
| 0.45-30-3 | 0.45 | 30 | 471.6 | 38.5 | 180 | 70 | 260 |
| 0.45-40-3 | 0.45 | 40 | 628.8 | 51.3 | 180 | 95 | 345 |
| 0.45-50-3 | 0.45 | 50 | 786.0 | 64.2 | 180 | 95 | 390 |
| 0.525-10-3 | 0.525 | 10 | 115.5 | 11.0 | 160 | 55 | 190 |
| 0.525-12-3 | 0.525 | 12 | 138.7 | 13.2 | 160 | 55 | 190 |
| 0.525-14-3 | 0.525 | 14 | 161.8 | 15.4 | 160 | 55 | 210 |
| 0.525-15-3 | 0.525 | 15 | 173.3 | 16.5 | 160 | 55 | 210 |
| 0.525-16-3 | 0.525 | 16 | 184.9 | 17.6 | 160 | 55 | 210 |
| 0.525-20-3 | 0.525 | 20 | 231.1 | 22.0 | 180 | 55 | 250 |
| 0.525-30-3 | 0.525 | 30 | 346.5 | 33.0 | 180 | 95 | 270 |
| 0.525-40-3 | 0.525 | 40 | 426.0 | 44.0 | 180 | 95 | 345 |
| 0.525-50-3 | 0.525 | 50 | 577.4 | 55.0 | 180 | 95 | 390 |
| 0.69-10-3 | 0.69 | 10 | 66.9 | 8.4 | 160 | 55 | 190 |
| 0.69-12-3 | 0.69 | 12 | 80.3 | 10.0 | 160 | 55 | 190 |
| 0.69-14-3 | 0.69 | 14 | 93.6 | 11.7 | 160 | 55 | 210 |
| 0.69-15-3 | 0.69 | 15 | 100.3 | 12.6 | 160 | 55 | 210 |
| 0.69-16-3 | 0.69 | 16 | 107.0 | 13.4 | 160 | 55 | 210 |
| 0.69-20-3 | 0.69 | 20 | 133.8 | 16.7 | 180 | 55 | 250 |
| 0.69-30-3 | 0.69 | 30 | 200.6 | 25.1 | 180 | 70 | 260 |
| 0.69-40-3 | 0.69 | 40 | 267.4 | 33.5 | 180 | 95 | 345 |
| 0.69-50-3 | 0.69 | 50 | 334.3 | 41.8 | 180 | 95 | 390 |

注：其他规格产品可作为特殊订货。单相电容器与相等容量的三相电容器外壳尺寸相同。

Note: The products of other specifications can be ordered specially. The container dimensions of single-phase capacitor and 3-phase capacitor with equal rated output are the same.

自愈式低电压并联电容器 Self-healing Type Low Voltage Shunt Capacitor

SINO-U.S JOINT-VENTURE ZHEJIANG
JIUKANG ELECTRIC CO.,LTD

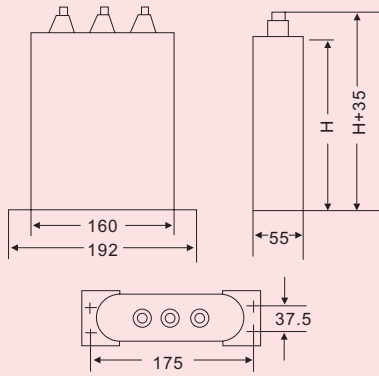
专注才能更成功

www.jiukang.com

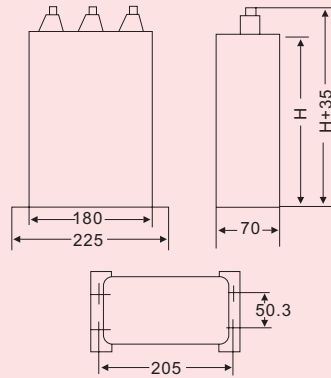


B型

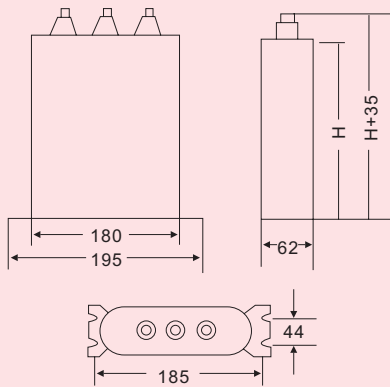
外形尺寸 Overall Dimension



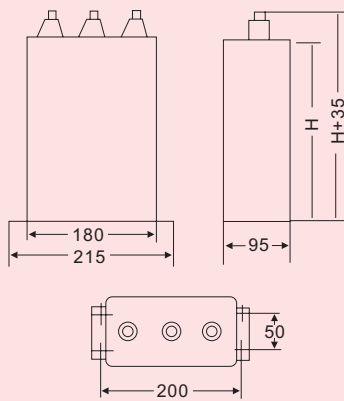
A型 A type



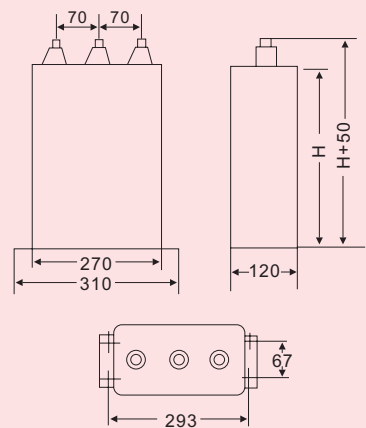
A型 A type



B型 B type



B型 B type



C型 C type

B型主要规格及外形尺寸 B Type Main Specification & Overall Dimension

| 产品型号 Model BSMJ BCMj BZMJ | 额定电压 Rated voltage kV | 额定容量 Rated output kvar | 总电容量 Total capacitance μ F | 额定电流 Rated current A | 外形尺寸 Overall dimension L W H(mm) | | |
|---------------------------------------|--------------------------------|---------------------------------|-------------------------------------|-------------------------------|---|--------|----------------|
| | | | | | 长 L | 宽 W | 高(mm) H(mm) |
| 0.25-3-1 | 0.25 | 3 | 153 | 12.0 | 180 | 62 | 135 |
| 0.25-5-1 | 0.25 | 5 | 245 | 20.0 | 180 | 62 | 220 |
| 0.25-7.5-1 | 0.25 | 7.5 | 382 | 30.0 | 180 | 62 | 220 |
| 0.25-10-1 | 0.25 | 10 | 509 | 40.0 | 180 | 95 | 230 |
| 0.25-15-1 | 0.25 | 15 | 764 | 60.0 | 180 | 95 | 270 |
| 0.25-20-1 | 0.25 | 20 | 1019 | 80.0 | 180 | 95 | 345 |
| 0.25-25-1 | 0.25 | 25 | 1273 | 100.0 | 180 | 95 | 345 |
| 0.25-30-1 | 0.25 | 30 | 1528 | 120.0 | 180 | 95 | 390 |
| 0.25-35-1 | 0.25 | 35 | 1783 | 140.0 | 300 | 120 | 230 |
| 0.25-40-1 | 0.25 | 40 | 2037 | 160.0 | 300 | 120 | 260 |
| 0.4-2-3 | 0.4 | 2 | 39 | 2.9 | 180 | 62 | 115 |
| 0.4-4-3 | 0.4 | 4 | 79 | 5.8 | 180 | 62 | 115 |
| 0.4-6-3 | 0.4 | 6 | 118 | 8.7 | 180 | 62 | 115 |
| 0.4-8-3 | 0.4 | 8 | 158 | 11.5 | 180 | 62 | 135 |
| 0.4-10-3 | 0.4 | 10 | 198 | 14.4 | 180 | 62 | 190 |
| 0.4-12-3 | 0.4 | 12 | 238 | 17.3 | 180 | 62 | 190 |
| 0.4-14-3 | 0.4 | 14 | 278 | 20.2 | 180 | 62 | 220 |
| 0.4-15-3 | 0.4 | 15 | 298 | 21.7 | 180 | 62 | 220 |
| 0.4-16-3 | 0.4 | 16 | 318 | 23.1 | 180 | 62 | 220 |
| 0.4-18-3 | 0.4 | 18 | 359 | 26.0 | 180 | 62 | 280 |
| 0.4-20-3 | 0.4 | 20 | 398 | 28.9 | 180 | 62 | 280 |
| 0.4-25-3 | 0.4 | 25 | 498 | 36.1 | 180 | 95 | 230 |
| 0.4-30-3 | 0.4 | 30 | 597 | 43.3 | 180 | 85 | 270 |
| 0.4-40-3 | 0.4 | 40 | 796 | 57.7 | 180 | 95 | 345 |
| 0.4-50-3 | 0.4 | 50 | 995 | 72.2 | 180 | 95 | 390 |
| 0.4-60-3 | 0.4 | 60 | 1194 | 86.6 | 300 | 120 | 260 |
| 0.4-70-3 | 0.4 | 70 | 1393 | 101.0 | 300 | 120 | 300 |
| 0.4-80-3 | 0.4 | 80 | 1592 | 115.5 | 300 | 130 | 320 |
| 0.4-90-3 | 0.4 | 90 | 1790 | 129.9 | 300 | 130 | 320 |
| 0.4-100-3 | 0.4 | 100 | 1989 | 144.3 | 300 | 130 | 320 |
| 0.42-10-3 | 0.42 | 10 | 180.5 | 13.7 | 180 | 62 | 190 |
| 0.42-12-3 | 0.42 | 12 | 216.5 | 16.5 | 180 | 62 | 190 |
| 0.42-14-3 | 0.42 | 14 | 252.6 | 19.3 | 180 | 62 | 220 |
| 0.42-15-3 | 0.42 | 15 | 270.7 | 20.6 | 180 | 62 | 220 |
| 0.42-16-3 | 0.42 | 16 | 288.7 | 22.0 | 180 | 62 | 220 |
| 0.42-18-3 | 0.42 | 18 | 324.8 | 24.7 | 180 | 62 | 280 |
| 0.42-20-3 | 0.42 | 20 | 360.9 | 27.5 | 180 | 62 | 280 |
| 0.42-25-3 | 0.42 | 25 | 451.1 | 34.4 | 180 | 95 | 230 |
| 0.42-30-3 | 0.42 | 30 | 541.3 | 41.2 | 180 | 85 | 270 |
| 0.42-40-3 | 0.42 | 40 | 721.8 | 55.0 | 180 | 95 | 345 |
| 0.42-50-3 | 0.42 | 50 | 902.2 | 68.7 | 180 | 95 | 390 |
| 0.42-60-3 | 0.42 | 60 | 1083 | 82.5 | 300 | 120 | 260 |
| 0.42-70-3 | 0.42 | 70 | 1263 | 96.2 | 300 | 130 | 300 |
| 0.42-80-3 | 0.42 | 80 | 1444 | 110.0 | 300 | 130 | 320 |

| 产品型号 Model BSMJ BCMj BZMJ | 额定电压 Rated voltage kV | 额定容量 Rated output kvar | 总电容量 Total capacitance μ F | 额定电流 Rated current A | 外形尺寸 Overall dimension L W H(mm) | | |
|---------------------------------------|--------------------------------|---------------------------------|-------------------------------------|-------------------------------|---|--------|----------------|
| | | | | | 长 L | 宽 W | 高(mm) H(mm) |
| 0.42-90-3 | 0.42 | 90 | 1624 | 123.7 | 300 | 130 | 320 |
| 0.42-100-3 | 0.42 | 100 | 1805 | 137.5 | 300 | 130 | 320 |
| 0.45-10-3 | 0.45 | 10 | 157.3 | 12.8 | 180 | 62 | 220 |
| 0.45-12-3 | 0.45 | 12 | 188.7 | 15.4 | 180 | 62 | 220 |
| 0.45-14-3 | 0.45 | 14 | 220.2 | 18.0 | 180 | 62 | 220 |
| 0.45-15-3 | 0.45 | 15 | 236.0 | 19.2 | 180 | 62 | 220 |
| 0.45-16-3 | 0.45 | 16 | 251.6 | 20.5 | 180 | 62 | 220 |
| 0.45-20-3 | 0.45 | 20 | 314.5 | 25.7 | 180 | 62 | 280 |
| 0.45-30-3 | 0.45 | 30 | 471.6 | 38.5 | 180 | 85 | 270 |
| 0.45-40-3 | 0.45 | 40 | 628.8 | 51.3 | 180 | 95 | 345 |
| 0.45-50-3 | 0.45 | 50 | 786.0 | 64.2 | 180 | 95 | 390 |
| 0.45-60-3 | 0.45 | 60 | 943.1 | 77.0 | 300 | 120 | 260 |
| 0.45-70-3 | 0.45 | 70 | 1100 | 89.8 | 300 | 120 | 300 |
| 0.45-80-3 | 0.45 | 80 | 1258 | 102.6 | 300 | 120 | 320 |
| 0.45-90-3 | 0.45 | 90 | 1415 | 115.5 | 300 | 120 | 320 |
| 0.45-100-3 | 0.45 | 100 | 1572 | 128.3 | 300 | 120 | 320 |
| 0.525-10-3 | 0.525 | 10 | 115.5 | 11.0 | 180 | 62 | 220 |
| 0.525-12-3 | 0.525 | 12 | 138.7 | 13.2 | 180 | 62 | 220 |
| 0.525-14-3 | 0.525 | 14 | 161.8 | 15.4 | 180 | 62 | 220 |
| 0.525-15-3 | 0.525 | 15 | 173.3 | 16.5 | 180 | 62 | 220 |
| 0.525-16-3 | 0.525 | 16 | 184.9 | 17.6 | 180 | 62 | 220 |
| 0.525-20-3 | 0.525 | 20 | 231.1 | 22.0 | 180 | 95 | 190 |
| 0.525-30-3 | 0.525 | 30 | 346.5 | 33.0 | 180 | 85 | 270 |
| 0.525-40-3 | 0.525 | 40 | 426.0 | 44.0 | 180 | 95 | 345 |
| 0.525-50-3 | 0.525 | 50 | 577.4 | 55.0 | 180 | 95 | 390 |
| 0.525-60-3 | 0.525 | 60 | 693.0 | 66.0 | 300 | 120 | 260 |
| 0.525-70-3 | 0.525 | 70 | 808.4 | 77.0 | 300 | 120 | 300 |
| 0.525-80-3 | 0.525 | 80 | 923.9 | 88.0 | 300 | 120 | 320 |
| 0.525-90-3 | 0.525 | 90 | 1039 | 99.0 | 300 | 120 | 320 |
| 0.525-100-3 | 0.525 | 100 | 1155 | 100.0 | 300 | 120 | 320 |
| 0.69-10-3 | 0.69 | 10 | 66.9 | 8.4 | 180 | 62 | 190 |
| 0.69-12-3 | 0.69 | 12 | 80.3 | 10.0 | 180 | 62 | 190 |
| 0.69-14-3 | 0.69 | 14 | 93.6 | 11.7 | 180 | 62 | 220 |
| 0.69-15-3 | 0.69 | 15 | 100.3 | 12.6 | 180 | 62 | 220 |
| 0.69-16-3 | 0.69 | 16 | 107.0 | 13.4 | 180 | 62 | 220 |
| 0.69-20-3 | 0.69 | 20 | 133.8 | 16.7 | 180 | 62 | 280 |
| 0.69-30-3 | 0.69 | 30 | 200.6 | 25.1 | 180 | 70 | 260 |
| 0.69-40-3 | 0.69 | 40 | 267.4 | 33.5 | 180 | 95 | 345 |
| 0.69-50-3 | 0.69 | 50 | 334.3 | 41.8 | 180 | 95 | 390 |
| 0.69-60-3 | 0.69 | 60 | 401.2 | 50.2 | 300 | 120 | 260 |
| 0.69-70-3 | 0.69 | 70 | 468.0 | 58.6 | 300 | 120 | 260 |
| 0.69-80-3 | 0.69 | 80 | 534.9 | 66.9 | 300 | 120 | 320 |
| 0.69-90-3 | 0.69 | 90 | 601.7 | 75.3 | 300 | 120 | 320 |
| 0.69-100-3 | 0.69 | 100 | 668.6 | 83.7 | 300 | 120 | 320 |

注：其他规格产品可作为特殊订货。单相电容器与相等容量的三相电容器外壳尺寸相同。

Note: The products of other specifications can be ordered specially. The container dimensions of single-phase capacitor and 3-phase capacitor with equal rated output are the same.